

Hyundai Warehouse Equipment

Electric Pallet truck, Electric Stacker and Manual Hand Pallet Truck

MOVING YOU FURTHER

HYUNDAI CONSTRUCTION EQUIPMENT



■ photo may include optional equipment.

HYUNDAI CONSTRUCTION EQUIPMENT

55, bundang-ro, Bundang-gu, Seongnam-si, Gyeonggi-do, Korea

PLEASE CONTACT

www.hyundai-ce.com

2017. 03 Rev. 2

HYUNDAI
CONSTRUCTION EQUIPMENT

Manual Hand Pallet Truck

20HP/25HP/25HPW/30HP

Standard Configurations

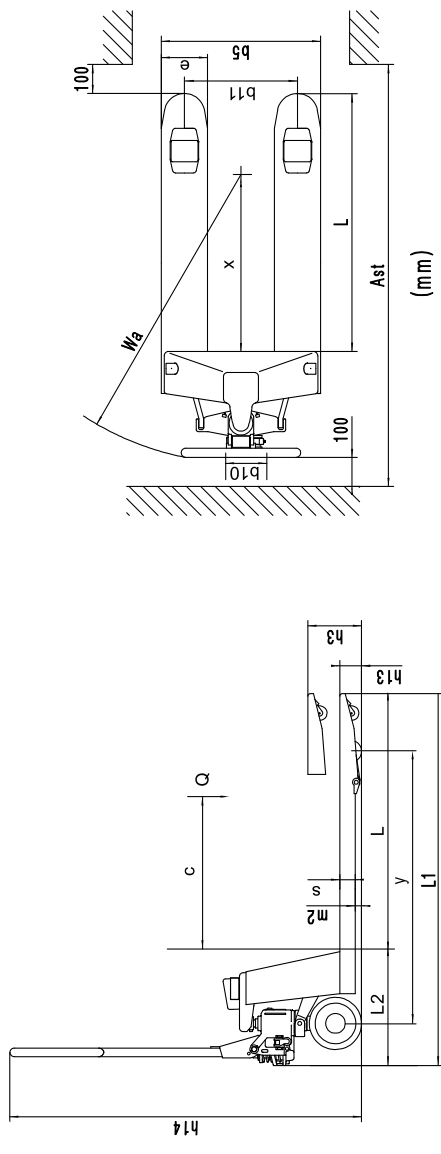
- Polyurethane drive steering wheel
- Double Polyurethane Fork wheels
- Overall Fork Width x Length : 550mm x 1,150mm
- Weighing Scale (25HPW)
- Rubber Wrapped handgrip (25HP/25HPW)

Option

- Nylon drive wheel and double nylon fork wheel
- Rubber drive wheel and double Polyurethane Fork wheel
- Polyurethane drive wheel and single Polyurethane Fork wheel (20HP/25HP/25HPW)
- Nylon drive wheel and single nylon Fork wheel (20HP/25HP/25HPW)
- Extra long foot pedal release (25HP/25HPW/30HP)
- Quick lift (5 strokes to reach max.height) (25HP/25HPW)
- Fork length (mm) 800, 900, 1000, 1100
- Overall Fork width x Length : 685mm x 1,220mm

■ photo may include optional equipment.

Dimension & Specifications (according to VDI 2198)



Characteristics		Hyundai	Hyundai	Hyundai	Hyundai
1.1	Manufacturer(abbreviation)		Hyundai	Hyundai	Hyundai
1.2	Model		20HP	25HP	30HP
1.3	Drive type		manual	manual	manual
1.4	Operator type		hand	hand	hand
1.5	Load capacity/rated load	kg	2000	2500	3000
1.6	Load center distance	c mm	22	32	40
1.8	Load distance	x mm	600	600	600
1.9	Wheelbase	y mm	1136	1153	1124
Weight					
2.1	Service weight	kg	55	58	63
Wheels/Chassis					
3.1	Tyres: solid rubber, superelastic, pneumatic, polyurethane		polyurethane	polyurethane	polyurethane
3.2	Tyre size, front(Steering wheel)	mm	φ 160	φ 200	φ 200
3.3	Tyre size, rear(Fork wheel single)	mm	φ 70x80	φ 80x93	-
	Tyre size, rear(Fork wheel tandem)	mm	φ 70x60	φ 80x70	φ 80x70
3.5	Wheels number, front/rear (x = driven wheels)		2x+2/4	2x+2/4	2x+2/4
3.6	Tread, front	b10 mm	108	111	120
3.7	Tread, rear	b11 mm	400/535	390/525	390/525
Dimension					
4.4	Max. Lift height	h3 mm	190	195	200
4.9	Min. Max. height of operation handle, in driving position	h14 mm	1176.5	1224	1224
4.15	Height, lowered	h13 mm	75	85	85
4.19	Overall length	l1 mm	1520	1543	1533
4.20	Length to fork face	l2 mm	370	393.5	384
4.22	Fork dimension	se/l mm	53/150/1150	53/160/1150	45/160/1150
4.25	Overall width of fork	b5 mm	550/685	550/685	550/685
4.32	Wheelbase ground distance	m2 mm	22	32	32
4.33	Aisle width, with pallet 1000x1200 crosswise	As1 mm	1720	1743	1733
4.34	Aisle width, with pallet 800x1200 lengthwise	As1 mm	1770	1793	1783
4.35	Turning radius	Wa mm	1265	1276	1266

